

CHAMP 0.8mm Centerline Connector Backshell Kits (Continued)

Offset, 68-Position Plug Kit

Material and Finish

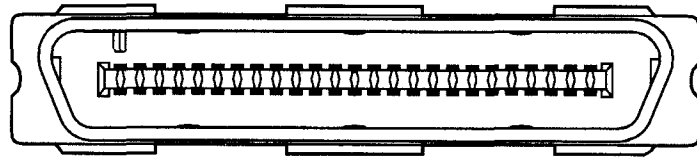
Backshells — LCP, 94V-0, natural

Termination Covers — LCP, 94V-0, natural

Shell — Carbon steel, plated .000200 [0.00508] min. tin-lead over .000050 [0.00127] min. copper

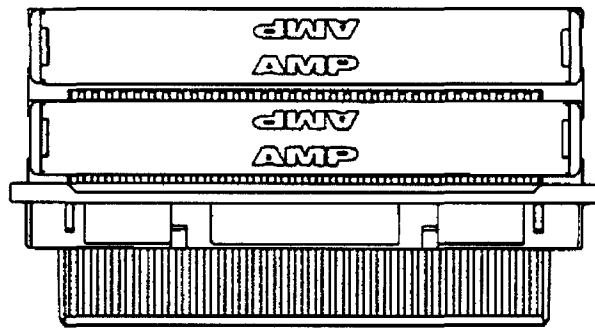
Contacts — Phosphor bronze, AMP-DURAGOLD plated .0000030 [0.000076] min. gold on mating end, .000050 [0.00127] min. tin-lead on solder end, all over .000050 [0.00127] min. nickel underplate

Plug Kit — Unassembled, Shielded Cable Connector



68-Position — Part Number 787131-3

Plug Kit — Unassembled, Shielded Cable Offset Cable Connector



68-Position — Part Number 787775-1

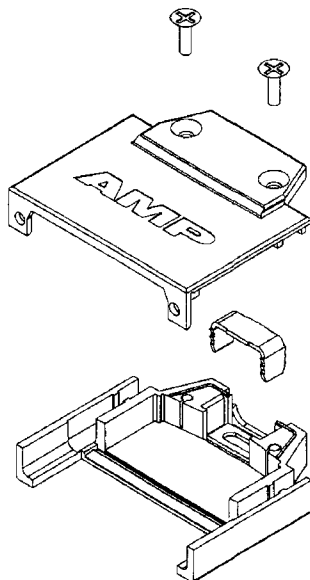
68-Position Backshell Kit, (Unassembled)

Material and Finish

Backshells — Zinc plated .000100 [0.00254] min. nickel over .000200 [0.00508] min. copper

Strain Relief — Carbon steel plated .000050 [0.00127] min. bright tin-lead over .000050 [0.00127] min. nickel

Screws — Stainless steel



Part Number 788362-1

Part Number	No. of Pos.	Mount Type	Style	Description/ Finish	Mating Part
787231-1 (ROHS)	36	B/Shell Kit	180	With Latchspring (needs 787003-3 latch posts)	STD 787973-1, 787973-21 HYBRID 787641-1
787133-1 (ROHS)	50	B/Shell Kit	180	With Latchspring (needs 787003-3 latch posts)	1658751-1, 787096-1
787233-1	50	B/Shell Kit	180	With jackscrews (needs 787004-3)	1658751-1, 787096-1
787229-1 (ROHS)	68	B/Shell Kit	180	With Latchspring (needs 787003-3 latch posts)	787254-1, 787254-2, 787254-3, 787254-4, 796055-1, 796055-2
787191-1	68	B/Shell Kit	180	Used with 787801-1, w/o jackscrews	787254-1, 787254-2, 787254-3, 787254-4, 796055-1, 796055-2
788362-1	68	B/Shell Kit	Offset	Used with 787801-1, w/o jackscrews	787962-1, 787962-2, 1489050-1, 1364306-1, 1489232-1, 1489232-2

¹ Contact Tyco Electronics for RoHS Part Number information.